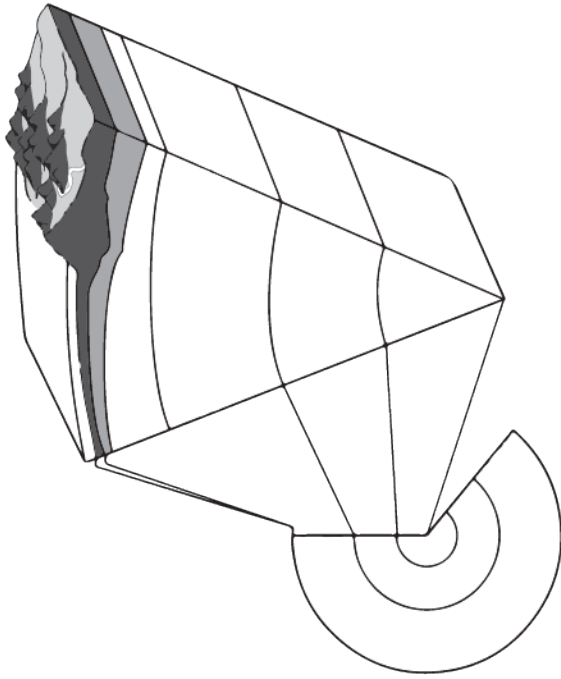
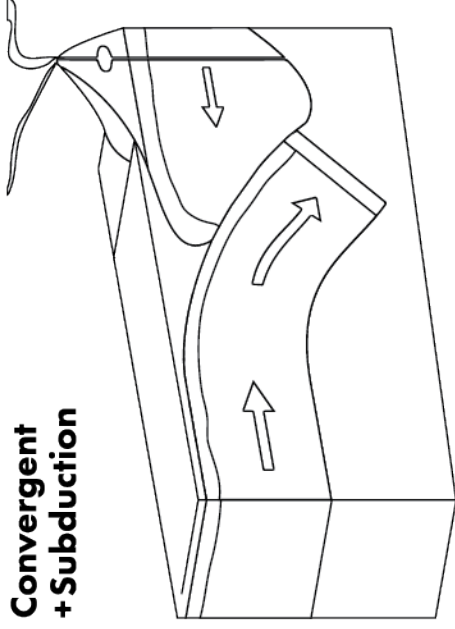


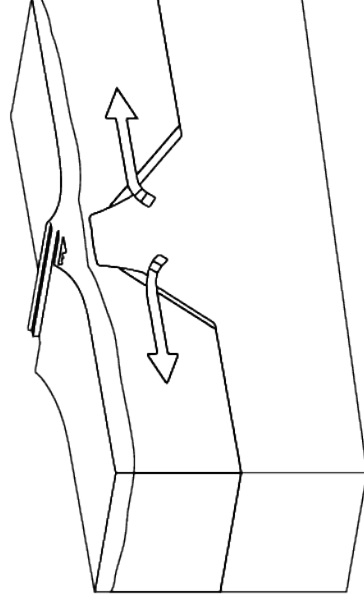
Layers of the Earth



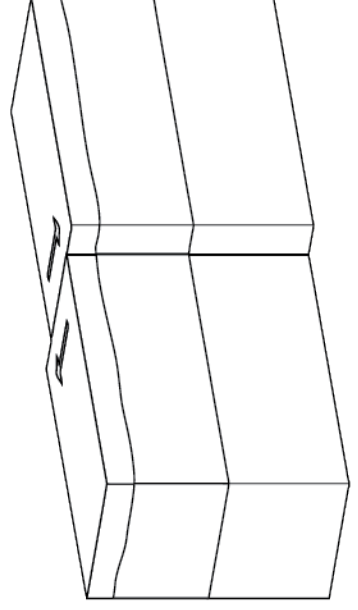
Convergent + Subduction



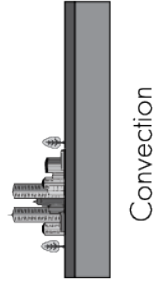
Divergent



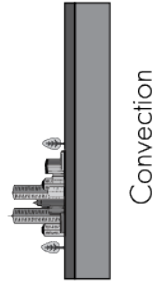
Transform



Convergent



Divergent



Convection

Convection